

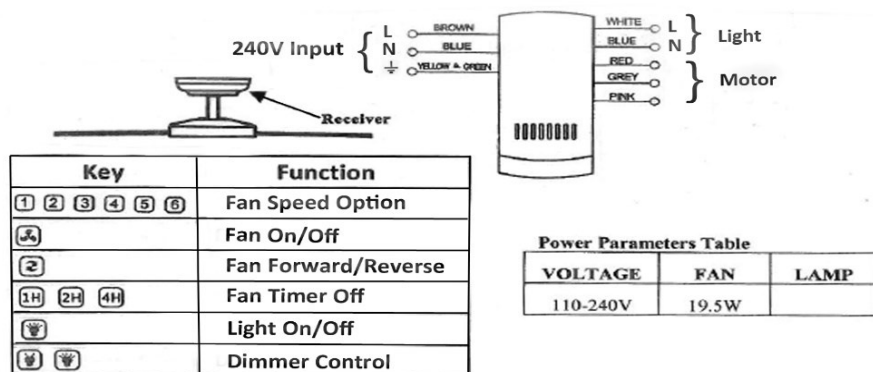
## NO PROGRAMMING IS REQUIRED ON INSTALLATION.

Remote Handset and Receiver are already paired together when purchased.


One isolation switch per fan must be installed for use with this product.

Please call 1300 360 280 Monday – Friday 9am-5pm AEST for technical support on this product.

### Wiring Diagram of Receiver



### How To Add a New or Replacement Handset

- Turn off the power at the isolation switch /wall switch and wait for 30 seconds.
- Turn on the power at the isolation switch/ wall switch.
- Receiver will beep once
- Press the Fan ON/OFF  button on the Handset once. The receiver will beep once the handset is paired.

#### Note:

- The isolation switch must be turned on for the remote to work.
- The mains power to the receiver must be switched on-off via an external switch. Not the buttons on the handset.
- The Code number for each Handset and Receiver is written on the back of each device. The RF wireless digital transmission technology is programmed in a sequence of 1/50000.
- If the Remote Handset is not working, please check batteries are inserted correctly. If this is checked and remote handpiece still will not beep when pressing the speed control buttons replace batteries and re-try.
- Two Handsets can be used with each fan. One Handset can control multiple fans.
- If the fan will not be used for a long period of time, please remove the batteries.

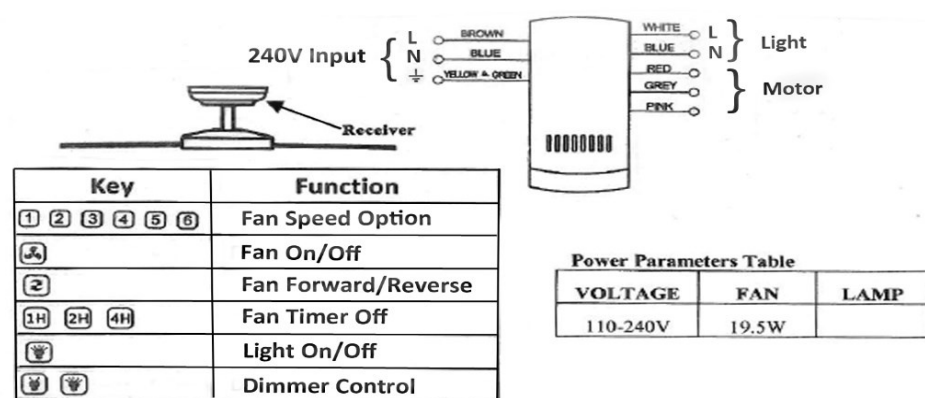
## NO PROGRAMMING IS REQUIRED ON INSTALLATION.

Remote Handset and Receiver are already paired together when purchased.


One isolation switch per fan must be installed for use with this product.

Please call 1300 360 280 Monday – Friday 9am-5pm AEST for technical support on this product.

### Wiring Diagram of Receiver



### How To Add a New or Replacement Handset

- Turn off the power at the isolation switch /wall switch and wait for 30 seconds.
- Turn on the power at the isolation switch/ wall switch.
- Receiver will beep once
- Press the Fan ON/OFF  button on the Handset once. The receiver will beep once the handset is paired.

#### Note:

- The isolation switch must be turned on for the remote to work.
- The mains power to the receiver must be switched on-off via an external switch. Not the buttons on the handset.
- The Code number for each Handset and Receiver is written on the back of each device. The RF wireless digital transmission technology is programmed in a sequence of 1/50000.
- If the Remote Handset is not working, please check batteries are inserted correctly. If this is checked and remote handpiece still will not beep when pressing the speed control buttons replace batteries and re-try.
- Two Handsets can be used with each fan. One Handset can control multiple fans.
- If the fan will not be used for a long period of time, please remove the batteries.