



# X-Over 122cm (48") / 142cm (56") with Light

- 3 SPEED WALL CONTROL
- 10° BLADE PITCH
- REVERSIBLE
- 7 YEAR WARRANTY



XOL302  
**MATT WHITE**  
With matt white polymer blades  
1220mm (48")



XOL310  
**MATT WHITE**  
With matt white polymer blades  
1420mm (56")

^ Hunter Pacific International Pty Ltd reserves the right to change specifications without notice. Colours shown may vary from actual product. Refer to website for full terms and conditions.

# X-Over 122cm (48") / 142cm (56") with Light

## Product Range:

XOL302 - 48" Matt White with White Blades  
XOL310 - 56" Matt White with White Blades

## Features:

- Quick Connect Blade System
- 3 Speed Wall Control including RF MCU Unit
- Energy efficient and quiet DC motor
- Summer/Winter reversible via switch on motor
- ABS polymer UV stabilised blades
- Non Remote Adaptable
- 18W dimmable CCT LED light (requires dimmer)
- Suitable for pitched ceilings up to 28°
- 7 Year warranty^

## Installation Locations:

Coastal, indoor and outdoor locations. The fan is also suitable for installation in a pergola or outside in a sheltered area, protected from wind and rain.

There should be at least 2.1m between the lowest point of the fan blades and the floor.

## Warranty:

- 3 year in-home warranty on the motor, excluding cosmetic issues and corrosion (unless reported in the first 3 months).
- 4 year additional Parts Only Warranty on the motor.
- 2 year in-home warranty on all DC electronic components such as DC remote control systems, lighting and Accessory Wall Control.
- 1 year warranty applies when the fan or relevant part is used in any non-domestic applications.

\*For full warranty details please see Hunter Pacific International's website [www.hunterpacific.com.au](http://www.hunterpacific.com.au)

## Accessories (Supplied separately):

### Down Rod 26mm diameter (includes wire loom)

010 - 910mm White Downrod  
020 - 180cm White Downrod

### 38° Ceiling Kit (for pitched ceilings)

080 - Ceiling Kit White

009 - T-Hook for ceiling roses

DCS260 - Wall Mech and Magic Box to suit X-Over only

DCR248 - DC Receiver & Smart Switch X-Over 48"

DCR249 - DC Receiver and Smart Switch X-Over 56" only

W06-018 - Wall Mech and knob only

## Light Fitting:

18W CCT LED light (dimmable)  
Colour Temperatures: 3000 K, 4000 K, 6000 K  
Output (lm): 1842 / 2370 / 2123  
Requires compatible dimmer

## Extra Information:

**Motor:** 125mm x 13mm DC motor  
Made with high grade copper windings and silicone steel stator. Bearings are sealed to ensure quiet operation and long life.

**Blades:** 1220mm (48") & 1420mm (56")  
Materials: ABS polymer UV stabilised  
Blade Pitch: 10°

## Weight Including Packaging:

Complete fan: 6.2kg (48") / 6.4kg (56")

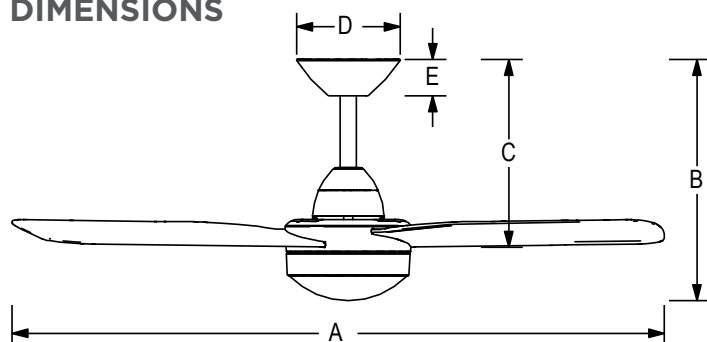
## Packaging Dimensions (cm):

Complete Fan: 62.6L x 29W x 31.5H

	48"			56"		
	LOW	MED	HIGH	LOW	MED	HIGH
RPMS	80	149	205	77	135	181
WATTS	2.9	11.8	25.8	3.8	13.7	35.3
AIRFLOW (CMH)	4350	11501	13250	4835	12958	14953

\* CMH = Cubic Meters per Hour

## DIMENSIONS



### X-Over 48"

A	1220mm
B	396mm
C	300mm
D	170mm
E	60mm

### X-Over 56"

A	1420mm
B	396mm
C	300mm
D	170mm
E	60mm