



# Typhoon Mach 3 White

## 122cm (48") / 132cm (52") / 142cm (56")

- 3 SPEED WALL CONTROL
- LIGHT ADAPTABLE
- REMOTE ADAPTABLE
- REVERSIBLE
- 19° BLADE PITCH
- 7 YEAR WARRANTY



### MATT WHITE

With matt white blades  
 A3400 - 122cm (48")  
 A3410 - 132cm (52")  
 A3420 - 142cm (56")



Optional Accessory Light Kit  
 (lamps not included)  
 A3480 - Eclipse White  
 2 x E27 light

^ Hunter Pacific International Pty Ltd reserves the right to change specifications without notice.  
 Colours shown may vary from actual product. Refer to website for full terms and conditions.

# Typhoon Mach 3 White 122cm (48") / 132cm (52") / 142cm (56")

## Product Range:

Matt White with Matt White Blades  
 A3400 - 122cm (48")  
 A3410 - 132cm (52")  
 A3420 - 142cm (56")

## Features:

- 3 Speed wall control
- Summer/Winter reversible via switch on motor
- Light Adaptable
- Remote Adaptable
- Suitable for pitched ceilings up to 32°
- 7 Year warranty^

## Installation Locations:

White: Indoor Only

## Wall Control Speed Capacitor Values:

2.5µF & 4.5µF

## Warranty:

- 3 year in-home warranty on the motor, excluding cosmetic issues and corrosion (unless reported in the first 3 months).
- 4 year additional Parts Only Warranty on the motor.
- All non-integrated HPI light kits and AC remote control systems are separately purchased accessories for AC ceiling fans, and as such are covered by our accessory parts warranty.
- 1 year warranty applies when the fan or relevant part is used in any non-domestic applications.

\*For full warranty details please see Hunter Pacific International's website [www.hunterpacific.com.au](http://www.hunterpacific.com.au)

## Accessories (Supplied separately):

### Down Rod 21mm diameter (includes wire loom)

050 - 910mm White Downrod  
 060 - 180cm White Downrod  
 009 - T-Hook for ceiling roses

### AC Remote Control Units

A2002 - Konetik (3 speed - non dimming AC remote)  
 A2003 - Logic (4 speed - dimming, timer function, AC remote)

### Light Kit (lamps not included)

A3480 - Eclipse White 2 x E27 light

### Zellweger Ripple Tone Filter Unit

007 - 1050Hz Notch Filter Noise Suppressor  
 008 - 750Hz Notch Filter Noise Suppressor

W06-018 Wall Mech & Knob Only  
 W06-028 Start Run Capacitor 2.2uF

## Extra Information:

### Motor: 194mm x 14mm motor 16 Pole

Made with the highest grade copper windings and silicone steel stator. Bearings are sealed to ensure quiet operation and long life.

### Blades:

122cm (48"), 132cm (52") , 142cm (56")

Materials: 316 Stainless Steel or White Aluminium painted blades  
 Blade Pitch: 19°

## Packaging Dimensions (cm):

Complete fan:

122cm (48") : 62L x 23W x 27H  
 132cm (52") : 62L x 23W x 27H  
 142cm (56") : 71L x 23W x 27H

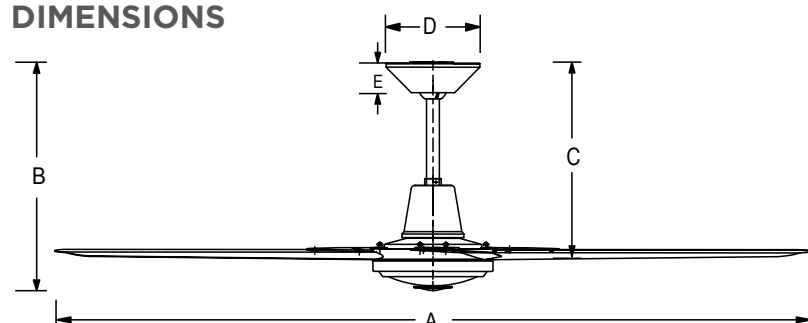
## Weight Including Packaging:

Complete fan: 8kg (122cm & 132cm) / 9kg (142cm)

	122cm (48")			132cm (52")			142cm (56")		
	LOW	MEDIUM	HIGH	LOW	MEDIUM	HIGH	LOW	MEDIUM	HIGH
RPMS	102	189	258	98	154	208	94	164	220
WATTS	14.0	29.9	64.1	14.0	30.0	64.0	18.0	34.0	72.8
AIRFLOW (CMH)	5627	8948	13824	7239	11137	16345	7941	12498	18512

\* CMH = Cubic Meters per Hour

## DIMENSIONS



	122cm (48")	132cm (52")	142cm (56")
A	1220mm	1320mm	1420mm
B	370mm	370mm	370mm
C	300mm	300mm	300mm
D	153mm	153mm	153mm
E	48mm	48mm	48mm