



Typhoon Mach 3 316 Stainless Steel

122cm (48") / 132cm (52") / 142cm (56")

3 SPEED
WALL
CONTROL

LIGHT
ADAPTABLE

REMOTE
ADAPTABLE

REVERSIBLE

19°
BLADE
PITCH

7 YEAR
WARRANTY



316 STAINLESS STEEL

With stainless steel blades

A3402 - 122cm (48")

A3412 - 132cm (52")

A3422 - 142cm (56")



Optional Accessory Light Kit
(lamps not included)

A3484 - Eclipse 316

Stainless Steel 2 x E27 light

^ Hunter Pacific International Pty Ltd reserves the right to change specifications without notice.
Colours shown may vary from actual product. Refer to website for full terms and conditions.

Typhoon Mach 3 316 Stainless Steel

122cm (48") / 132cm (52") / 142cm (56")

Product Range:

316 Stainless Steel with Stainless Steel Blades
 A3402 - 122cm (48")
 A3412 - 132cm (52")
 A3422 - 142cm (56")

Features:

- 3 Speed wall control
- Summer/Winter reversible via switch on motor
- Light Adaptable
- Remote Adaptable
- Suitable for pitched ceilings up to 32°
- 7 Year warranty^

Installation Locations:

316 Stainless Steel: Indoor, coastal and outdoor undercover (provided the fan is fully undercover).

Wall Control Speed Capacitor Values:

2.5µF & 4.5µF

Warranty:

- 3 year in-home warranty on the motor, excluding cosmetic issues and corrosion (unless reported in the first 3 months).
- 4 year additional Parts Only Warranty on the motor.
- All non-integrated HPI light kits and AC remote control systems are separately purchased accessories for AC ceiling fans, and as such are covered by our accessory parts warranty.
- 1 year warranty applies when the fan or relevant part is used in any non-domestic applications.

*For full warranty details please see Hunter Pacific International's website www.hunterpacific.com.au

Accessories (Supplied separately):

Down Rod 21mm diameter (includes wire loom)

059 - 910mm 316 Stainless Steel Downrod
 068 - 150cm 316 Stainless Steel Downrod
 009 - T-Hook for ceiling roses

AC Remote Control Units

A2002 - Konetik (3 speed - non dimming AC remote)
 A2003 - Logic (4 speed - dimming, timer function, AC remote)

Light Kit (lamps not included)

A3484 - Eclipse 316 Stainless Steel 2 x E27 Light

Zellweger Ripple Tone Filter Unit

007 - 1050Hz Notch Filter Noise Suppressor
 008 - 750Hz Notch Filter Noise Suppressor

W06-018 Wall Mech & Knob Only
 W06-028 Start Run Capacitor 2.2µF

Extra Information:

Motor: 194mm x 14mm motor 16 Pole
 Made with the highest grade copper windings and silicone steel stator. Bearings are sealed to ensure quiet operation and long life.

Blades:

1220mm (48"), 1320mm (52"), 1420mm (56")
 Materials: 316 Stainless Steel or White Aluminium painted blades
 Blade Pitch: 19°

Packaging Dimensions (cm):

Complete fan:
 122cm (48"): 62L x 23W x 27H
 132cm (52"): 62L x 23W x 27H
 142cm (56"): 71L x 23W x 27H

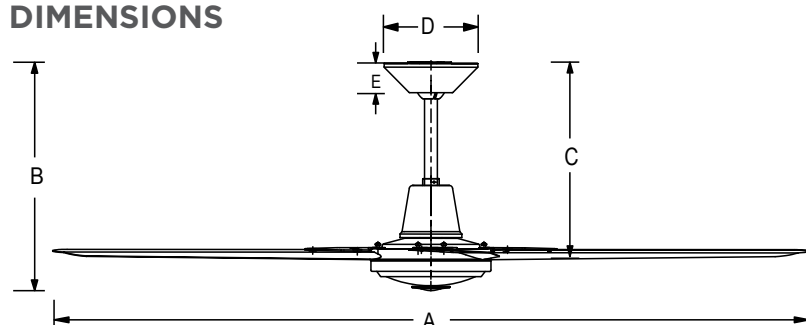
Weight Including Packaging:

Complete fan: 8kg (122cm & 132cm) / 9kg (142cm)

	122cm (48")			132cm (52")			142cm (56")		
	LOW	MEDIUM	HIGH	LOW	MEDIUM	HIGH	LOW	MEDIUM	HIGH
RPMS	102	189	258	98	154	208	94	164	220
WATTS	14.0	29.9	64.1	14.0	30.0	64.0	18.0	34.0	72.8
AIRFLOW (CMH)	5627	8948	13824	7239	11137	16345	7941	12498	18512

* CMH = Cubic Meters per Hour

DIMENSIONS



	122cm (48")	132cm (52")	142cm (56")
A	1220mm	1320mm	1420mm
B	370mm	370mm	370mm
C	300mm	300mm	300mm
D	153mm	153mm	153mm
E	48mm	48mm	48mm