



# Next Creation V2 132cm (52")

- 9 SPEED REMOTE
- WORKS WITH PIXIE\*
- WiFi\*
- REVERSIBLE
- 14.5° BLADE PITCH
- 7 YEAR WARRANTY^



NC2151  
**MATT WHITE**

With matt white polymer blades  
132cm (52")



NC2152  
**MATT BLACK**

With matt black polymer blades  
132cm (52")

\* Works with Pixie or Wifi Modules each sold separately.  
^ Hunter Pacific International Pty Ltd reserves the right to change specifications without notice.  
Colours shown may vary from actual product. Refer to website for full terms and conditions.

# Next Creation V2 132cm (52")

## Product Range:

NC2151 - Matt White with Matt White Blades  
 NC2152 - Matt Black with Matt Black Blades

## Features:

- 9 speed remote
- Energy efficient and quiet DC motor
- Summer/Winter reversible via remote
- ABS polymer UV stabilised blades
- Smart home options
- DC wall control option
- 7 Year warranty^

## Installation Locations:

Coastal, indoor and outdoor locations. The fan is also suitable for installation in a pergola or outside in a sheltered area, protected from wind and rain.

There should be at least 2.1m between the lowest point of the fan blades and the floor.

## Warranty:

- 3 year in-home warranty on the motor, excluding cosmetic issues and corrosion (unless reported in the first 3 months).
- 4 year additional Parts Only Warranty on the motor.
- 2 year in-home warranty on all DC electronic components such as DC remote control systems, lighting and Accessory Wall Control.
- 1 year warranty applies when the fan or relevant part is used in any non-domestic applications.

\*For full warranty details please see Hunter Pacific International's website [www.hunterpacific.com.au](http://www.hunterpacific.com.au)

## Accessories (Supplied separately):

PIXIEM098 - HPI Pixie Module\*  
 WIFIM099 - Smart WiFi Module\*  
 DCWC2409 - 240V DC Wall Control (9 speed)

## Down Rod 26mm diameter (includes wire loom)

010 - 910mm White Downrod  
 013 - 910mm Black Downrod  
 020 - 180cm White Downrod  
 023 - 180cm Black Downrod

## 38° Ceiling Kit (for pitched ceilings)

080 - Ceiling Kit White  
 083 - Ceiling Kit Black

009 - T-Hook for ceiling roses

## Extra Information:

**Motor:** 156mm x 12mm DC motor  
 Made with high grade copper windings and silicone steel stator. Bearings are sealed to ensure quiet operation and long life.

**Blades:** 132cm (52")  
 Materials: ABS polymer UV stabilised  
 Blade Pitch: 14.5°

## Weight Including Packaging:

Complete fan: 7.7kg

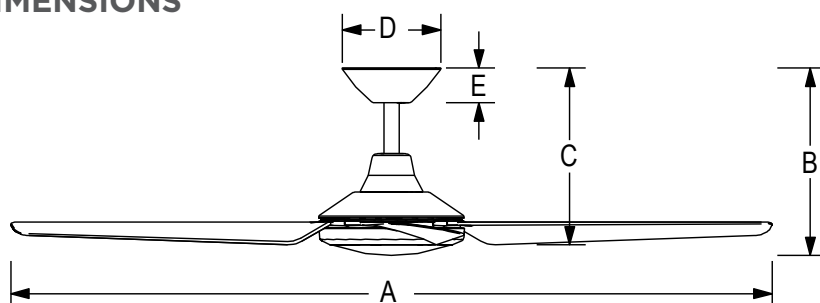
## Packaging Dimensions (cm):

Complete Fan: 61.7L x 28.2W x 31.5H

	Speed 1	Speed 2	Speed 3	Speed 4	Speed 5	Speed 6	Speed 7	Speed 8	Speed 9
RPMS	86	103	139	160	170	178	188	196	202
WATTS	2.9	4.6	9.7	12.3	15.6	17.5	21.5	23.4	25.9
AIRFLOW (CMH)	4175	4683	8973	10000	10853	11675	12084	13151	14315

\* CMH = Cubic Meters per Hour

## DIMENSIONS



A	1320mm
B	310mm
C	300mm
D	168mm
E	60mm